

# 1000 BASE-T MAGNETICS MODULES

Designed to Support 1:1 Turns Ratio Transceivers

Features :

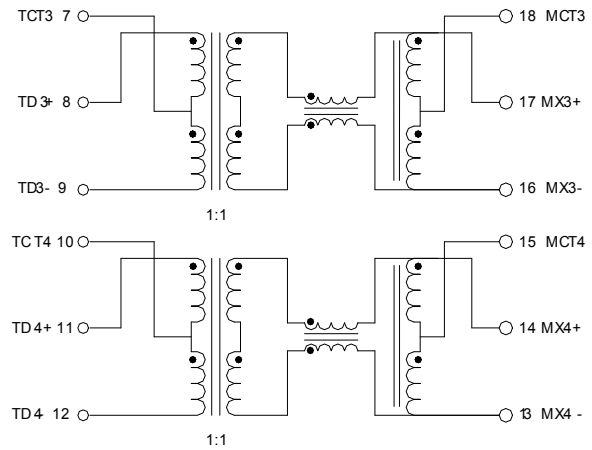
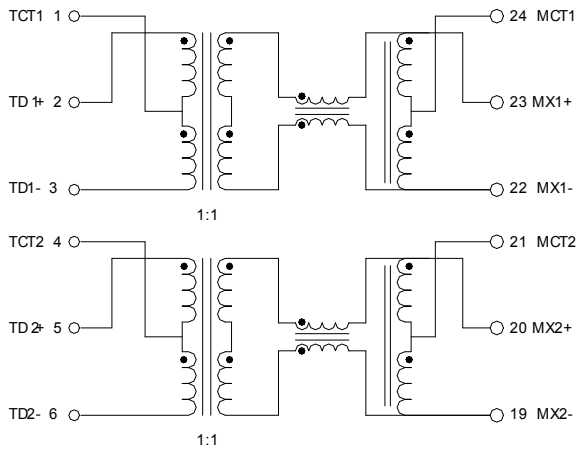
- 1) Supports 4 pairs of category 5 UTP cable
- 2) Cable interface for isolation and low common mode emissions .
- 3) Compliant with IEEE 802.3ab standard for 1000 Base-T.

## FW-3007SD

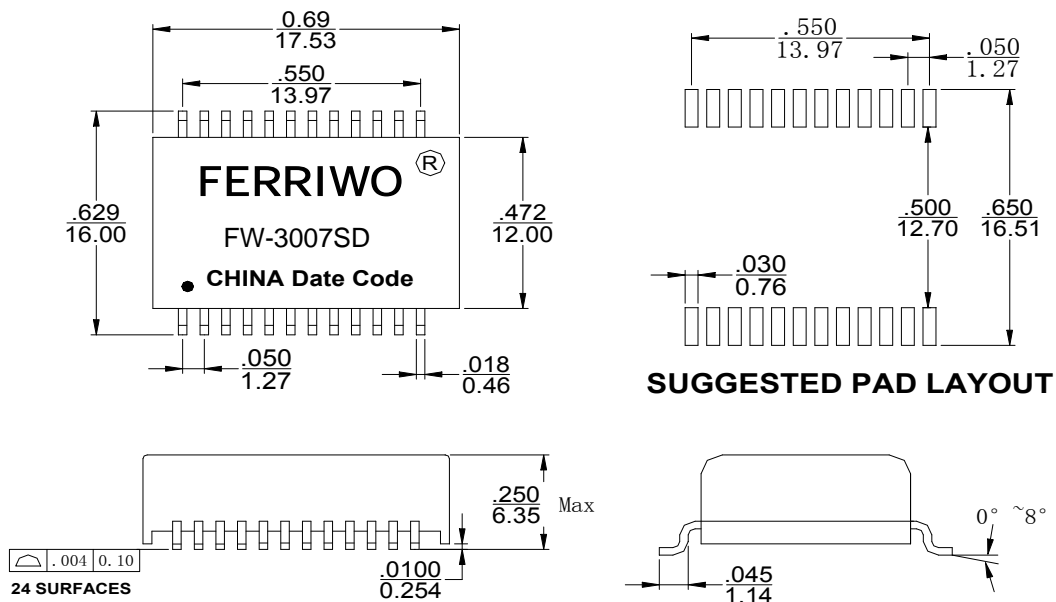
A) Electrical Specifications @ 25°C --- Operating temperature 0°C To 70°C .

Insertion Loss (dB Max)	Return Loss (dB Min. @ 100 ohm)					Differential to Common Mode Rejection (dB Min.)			Crosstalk (dB Min.)			Hi-Pot Vrms Min.
	1~100MHz	1-30MHz	40MHz	50MHz	60-80MHz	100MHz	30MHz	60MHz	100MHz	30MHz	60MHz	
1.0	-18	-18	-16	-12	-10	-43	-37	-33	-43	-37	-33	1500V

## B) Schematics



## C) Mechanical Dimensions ( Unit: inches / mm )



Unless otherwise specified, all tolerances are ±.010 / 0.25